



Playground Pump Owner's Manual



Bison Playground Pump Owner's Manual

Included with the Playground Pump

(See Diagram A – Playground Pump Components)

- 1) One (1) Model 1900 Child Safe Shallow Pump (A)
- 2) One (1) Suction Pickup Tube (B)
- 3) One (1) Tank (C)
- 4) One (1) pre-installed Block Off Cover (D)
- 5) Two (2) Gaskets
 - a. (E-1) - Pump
 - b. (E-2) - Tank
- 6) One (1) pre-adjusted Float Valve(F) mounted in the tank
- 7) One (1) pre-installed 3/4" Female Inlet Ball Valve (G) located at the base of the tank
- 8) One (1) Special #31 Driver Bit (H)
- 9) Ten (10) Security Bolts (I)
 - a. (4) Pump Security Bolts
 - b. (6) Tank Security Bolts
- 10) One (1) Special Tee Wrench (J)
- 11) One (1) ½" NPT Port Drain Plug (K)
- 12) One (1) ½" NPT Port Access Plug (L)
- 13) One (1) Tank Flange (M)

Please Read and Understand all Instructions. If Help is needed call our Toll-Free Number 1-800-339-2601 and ask for Technical Assistance.

Review Diagram B before starting the installation process

Step 1 - Connecting to city water supply line

- A) Add the following items to the incoming water supply line:
- 1) Shutoff valve (Diagram B – Item A)
 - 2) Pressure reducing valve (Diagram B - Item B) (if you know the line pressure exceeds 60 PSI)
 - 3) Backflow preventer valve (Diagram B – Item C) if required by your local or state regulations
 - 4) Tee fitting and a connection for an air hose (Diagram B – Item D) in line, so the supply line can be expelled of water to prevent freezing.
 - 5) The supply line (Diagram B – Item E) to the tank should not be smaller than $\frac{1}{2}$ " diameter from the supply valves to the outlet of the underside of the tank. From that point use a flexible line (Diagram B – Item F) such as a braided fountain supply line to connect to the $\frac{3}{4}$ " NPT female inlet ball valve (Diagram B – Item G) that is attached to the bottom of the tank.

Step 2 – Install Tank

- A) The tank should be installed on a sturdy platform at the desired location. The water supply line must be installed under your platform and exit in the middle of the desired location. There should be a 6"- 8" void in the center of the platform for the water line to run under the tank. Do not connect the line at this point.
- B) Position the tank on the platform so that the spout will point in the desired direction (See Diagram C for Pump Orientation).
- C) Locate and mark the six (6) $\frac{3}{8}$ " clearance holes (Diagram B – Item H) at the tank's mounting flange.
- a. If a concrete platform and concrete anchor bolts are going to be used, place the tank aside for drilling the holes. After the holes are drilled and anchor bolts installed, attach the flex supply line to the inlet of the female ball valve and secure the tank to its base.
 - b. If a concrete base is used and you're using Tapcons® or a wooden platform with lag bolts, attach the flex supply line to the inlet of the female ball valve and secure the tank to its base.

Step 3 – Filling the tank with water

- A) Turn on the city water supply line.
- B) Open the $\frac{3}{4}$ " NPT Female Inlet Ball Valve (Diagram B – Item G) to allow the water to fill the tank
 - a. Remove the lower $\frac{1}{2}$ " NPT Port Access Plug (Diagram B – Item I). Insert the square end of the Tee Wrench (Diagram A – Item J) through the hole where the plug was removed. Align the square end of the tool to the mating square hole in the adapter that is located on the handle of the ball valve. Open the valve by turning the Tee Wrench in a counter-clockwise direction allowing water to fill the tank. The tank will be filled to about 7 gallons as a reserve for pumping.
 - b. Reinstall the $\frac{1}{2}$ " NPT Port Access Plug.

Step 4 – Connecting the Model 1900 Pump to the tank

- A) Attach the Special #31 Driver Bit (Diagram A – Item H) to a Speed Driver or a $\frac{1}{4}$ " Ratchet Driver. **Do Not use a Power Driver!**
- B) Remove the (4) Pump Security Bolts (Diagram A – Item I) on the Tank's Block-Off Cover (Diagram A – Item D) and set aside.
- C) To remove the Block-Off Cover lift straight up. If it sticks to the gasket try prying up on the cover by working around it with a dull flat blade screwdriver.
- D) Install the Pump's Pick-up Tube (Diagram A – Item B) to the inlet of the pump by turning it Clock-wise until it is hand tight. **Do Not Overtighten!**
- E) Insert the pump and its suction tube into the tank opening and align the notch of the pump's base and the notch of the gasket to the bolt holes. (See Diagram C for Orientation)
- F) Evenly tighten the four (4) Pump Security bolts that you removed and set aside from the Top Block Off Cover.

***Now you're ready to enjoy your Playground Pump!**

Winterize the system

- A) Shut off the water supply at the city supply valve
- B) Open the ½” NPT Port Drain Plug (Diagram A – Item K) on the side of the tank to drain the water.
- C) If an air hose line connection was installed in the supply line, add compressed air at that point to blow water from the line. The water will be exhausted through the fill float valve in the tank, emptying the tank completely.
- D) Shut off the ball valve using the Tee wrench (Diagram A – Item J).
- E) Reinstall the ½” NPT Port Drain Plug.
- F) **Do Not Exceed 60 PSI in the Line or the Valve with Compressed Air!**
- G) Remove the 4 (four) Pump Security Bolts holding the pump to the tank. Remove the pump.
 - a. To drain the water from the Pump, hold the pump at an angle and pump the handle until all the water is removed. Store in a safe warm place.
- H) Reinstall the Tank’s Block-Off cover and the Security Bolts.

Contact

For questions about your product you can email technical support at sales@BisonPumps.com or call our toll-free number **1-800-339-2601**.

DIAGRAM A

PLAYGROUND PUMP COMPONENTS

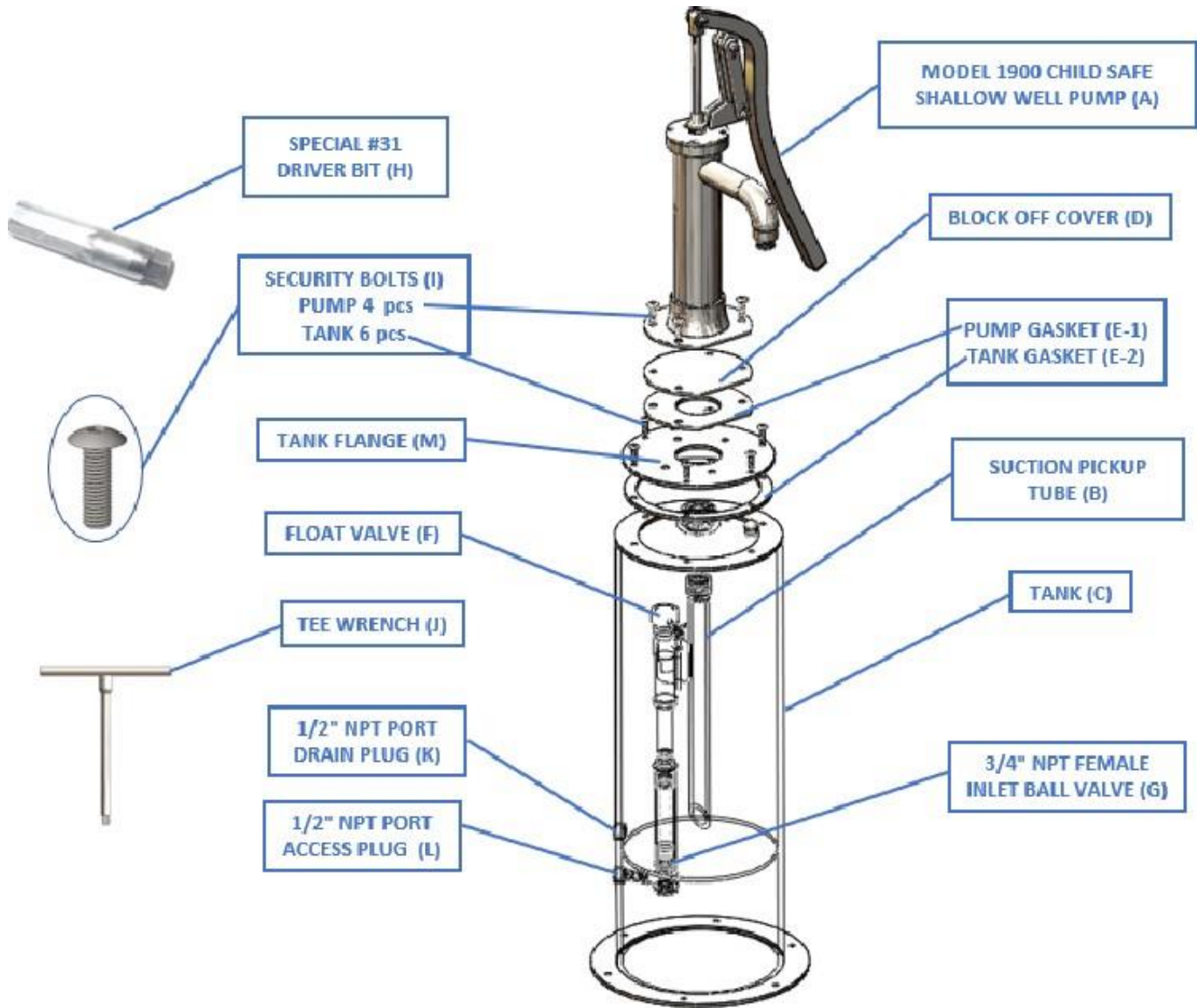


DIAGRAM B

PLAYGROUND PUMP INSTALLATION

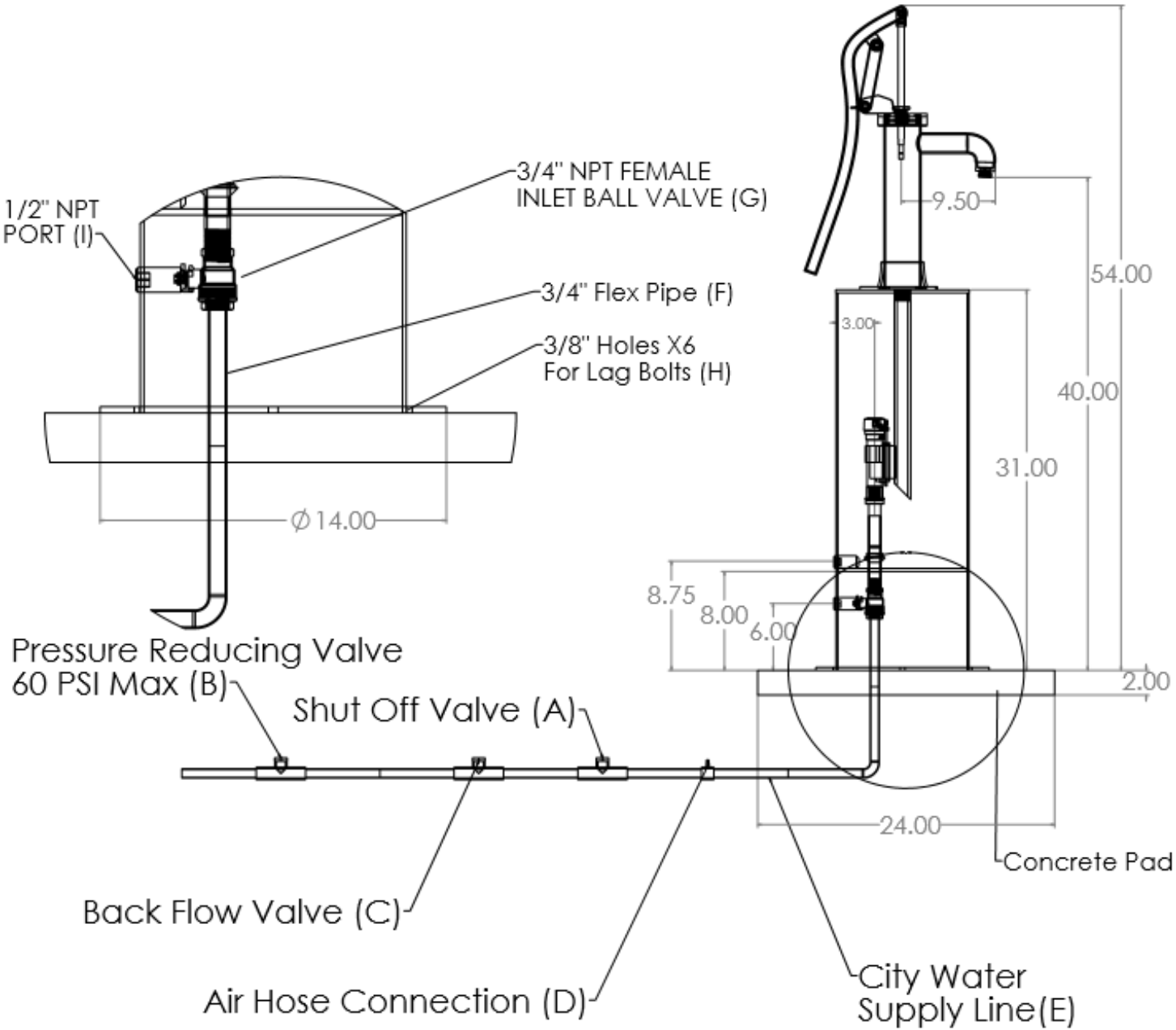


DIAGRAM C
PUMP ORIENTATION

