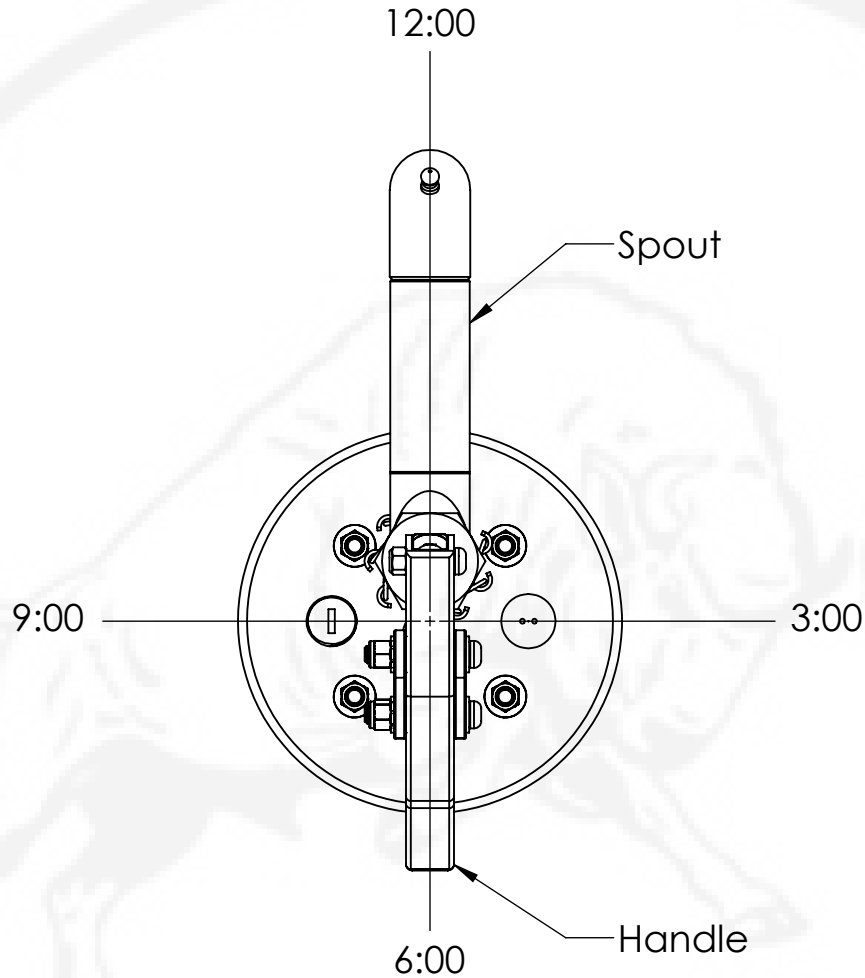


B

B



Select Orientation:

Spout Position: 3 6 9 12

Handle Position: 3 6 9 12

Customer Signature: \_\_\_\_\_

BISON PUMPS, LLC  
 Claims proprietary rights for all materials herein. This drawing  
 may not be reproduced nor may information herein be used for  
 manufacturing purposes without written permission of  
 BISON PUMPS, LLC.

	NAME	DATE	<b>BISON PUMPS, LLC</b>	
DRAWN	RBM	2/10/22	TITLE:	
CHECKED			Standard Orientation Form	
ENG APPR.				
MFG APPR.				
Q.A.				
COMMENTS:			SIZE	DWG. NO.
			<b>A</b>	REV
			SCALE: 1:4	

A

A