





















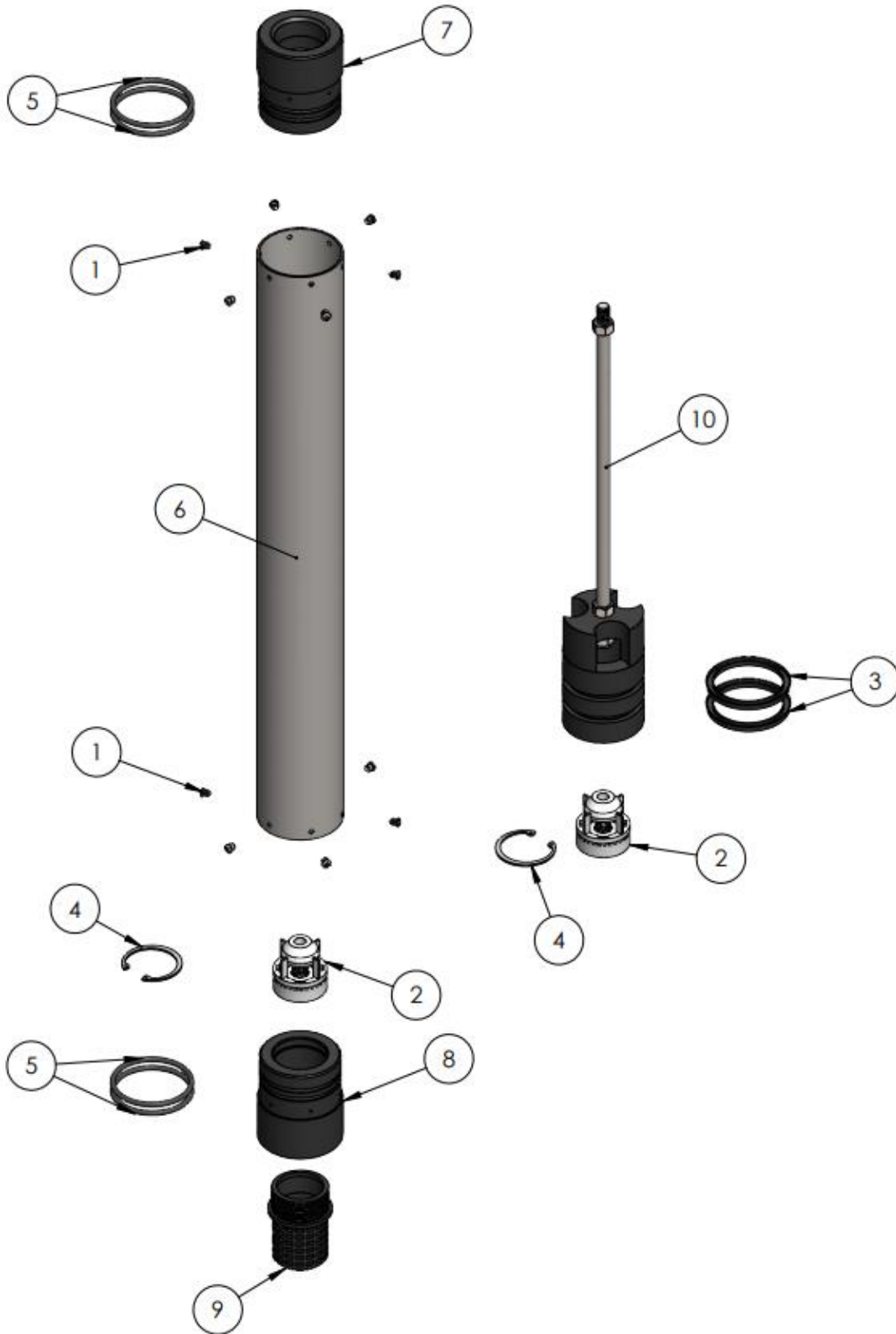








### Detail A: Exploded View



## Detail B: Part Listing

Item No.	Part Number	Description	Quantity
1	04-000-1-45-22	Philips Sheet Metal Screws	12
2	04-000-5-75-02	Check Valve	2
3	04-002-3-71-04	Piston Cup Seal	2
4	04-022-1-68-05	Internal Snap Ring	2
5	04-139-3-70-01	O-ring	4
6	51-200-1-01-02	Cylinder Body	1
7	51-200-1-01-03	Top End Cap	1
8	51-200-1-01-04	Bottom End Cap	1
9	51-200-0-01-05	Filter	1
10	51-200-1-02-01	Piston Assembly	1