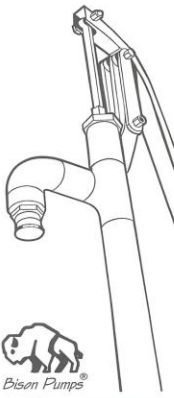


# BISON 2-PIECE SHALLOW WELL HAND PUMP INSTALLATION MANUAL



**WARNING: All pumps are shipped with a stainless steel male pipe thread hose adaptor. You may want to check local codes to see if a hose Bibb backflow preventer should be used when connecting a hose to the hose adaptor on the pump. CONSULT YOUR LOCAL PLUMBING CODE!**

[www.bisonpumps.com](http://www.bisonpumps.com)

BISON PUMPS  
98 BANGOR STREET  
PO BOX 977  
HOULTON, ME 04730  
1-800-339-2601  
INFO@BISONPUMPS.COM

## READ ALL INSTRUCTIONS BEFORE PUMP INSTALLATION.

**STEP #1** – Inspect the contents of the box to be sure everything you ordered has been received. Check the serial number on the well head assembly to be sure it matches the serial number on your invoice/packing list.

**STEP #2** – Remove the Bison Pump Cylinder from the box and raise the PVC t-handle to break the seal. Once you have released the seal, pump the t-handle up and down a few times to loosen the seal. As you pump the piston, you will hear the check valves “burp”. This indicates that the check valves are functioning properly. The plastic t-handle can then be discarded.



**STEP #3** – Begin the installation of your Bison 2-Piece Shallow Well Pump. If you are installing the pump on a counter top, refer to Detail A.

**Before you drill any holes in the counter top, carefully inspect the underside of your counter to be sure there are no obstructions with the installation of the well head and the cylinder.**

**STEP #4** - Once the location of the pump on your counter has been determined, use a hole saw to drill a 2” diameter hole in the counter top to accept the 1 5/8” outside diameter of the well head pipe.

**STEP #5** – Disassemble the four (4) bolts and stainless steel retainer flange at the base of the shallow well head assembly. Slide the Shallow Well Pump Head into the hole until the flange is flat on the counter top and the spout is pointed in the direction you want it to be.

**STEP #6** – With a pencil, draw the inside circles of the mounting holes on counter top.

**STEP #7** – Remove the well head and set it aside. Use a 3/8” drill bit to drill the holes for the mounting bolts.

**STEP #8** – Place the well head back on the counter top and insert the 3/8” stainless

steel bolts through the holes in the flange at the base of the pump and the retaining plate under the counter top. Tighten the bolts and nuts securely. Your well head is now secure. (Detail A).

**STEP #9** – Lift the handle all the way up on the well head .Also, pull the 3/8” stainless steel rod in the pump cylinder all the way up.

**STEP #10** – With the 3/8” stainless steel rod all the way up on the cylinder and the handle all the way up on the well head, you are now ready to install the cylinder.

**STEP #11** – By using 9/16” and 1/2” open end wrenches, you can connect the (2) 3/8” stainless steel rods together underneath the countertop. Tighten the stainless steel nuts and coupling securely.

**STEP #12** – Push the cylinder up until the 1 1/4” female threads come into contact with the 1 1/4” male thread on the well head. Using two hands screw the cylinder onto the 1 1/4” male threads. Be sure there is Telfon tape on the male thread of the well head.

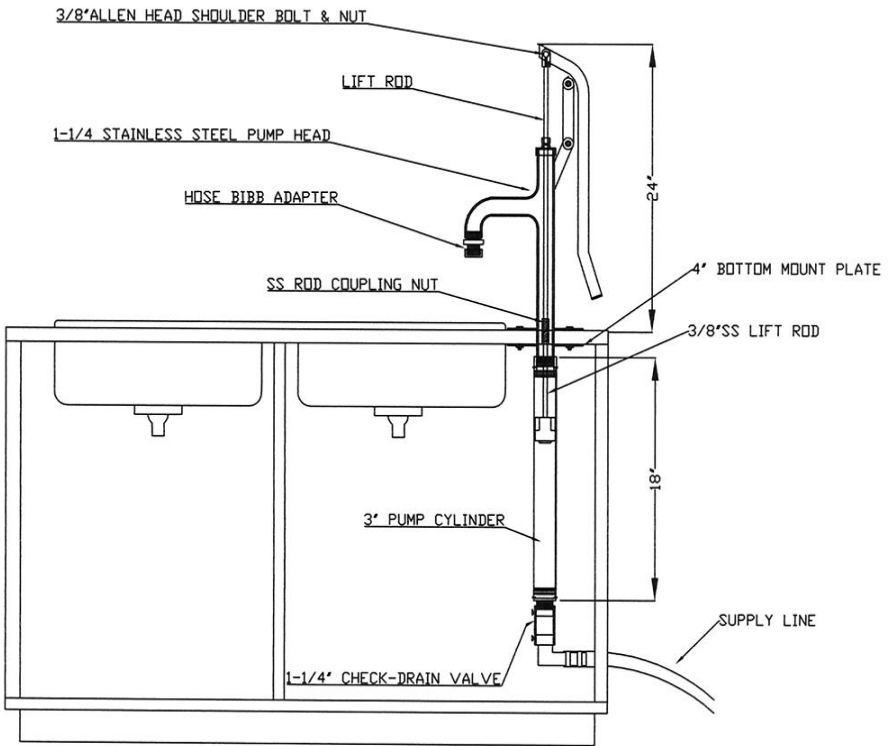
**STEP #13** – Connect the suction line to the 1 1/4” check valve at the base of the 3” cylinder. It is also recommended that a screen should be installed at the end of the pipe which is submersed into your water supply, i.e. your well, pond or lake.

*Note: Do not install a check valve under the hand pump and do not install a foot valve at the end of the suction line. You should, however, install some sort of a screen on the end of the suction pipe that is in the water. One suggestion would be to purchase a typical brass foot valve and remove the internal check valve of the foot valve and use this as the screen. If pulling water from a lake or stream, it is also a good idea to wrap the foot valve (less check) with a fine mesh nylon screen.*

The installation is now complete. Enjoy your Bison 2-Piece Shallow Well Hand Pump!

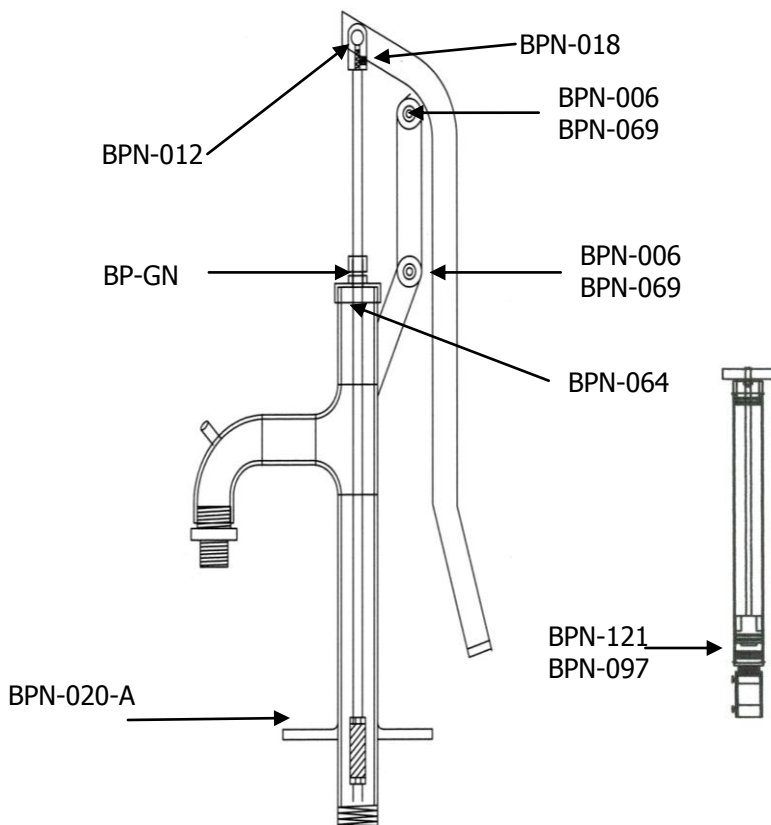
**Note:**

1. To drain the cylinder and pump, simply open the two petcocks on the side of the check valve located at the base of the cylinder and allow them to drain.
2. On the top of the pump body is a gland nut which the lift rod slides through when pumping your hand pump. *This nut should be hand tight.* If there is leaking through this nut when pressurizing a vessel, then tighten this gland nut a quarter turn. **Do not overtighten** as this may cause difficulty in pumping your hand pump or damage to your lift rod.
3. Bison Pumps will not be held responsible for defects or damage to this product due to inexperienced or negligent workmanship during installation of the pump and associated parts.



BISON PUMP DETAIL A  
 NOT TO SCALE

## BISON 2-PIECE SHALLOW WELL HAND PUMP PARTS BREAKDOWN



### **BPN-RPK-SW2 Repair Kit 1-Piece SW2**

BPN-006	Wash Flat Nylon 3/8" x1-1/16
BPN-012	Bush Brz 3/8"x1/2"x3/4" -Hdl
BPN-020-A	scr phsm 18 -8 s/s #6 x 1/2"
BPN-018	scr Cup P.Set 316 1/4"x1/4"
BPN-064	O-Ring Buna 3" or 2-3/4" Cyl
BPN-069	Nut Ny-locknut 316 3/8"-16
BP-GN	Gland Nut
BPN-121	Cup Seals Buna 3" Cyl
BPN-097	Quad Ring Buna 2.5, 2.75, 3"Cyl

### **PART NUMBER Options**

BPN-330C	Check Valve for Pressurizing Tanks
----------	------------------------------------