

BISON 1 PIECE SHALLOW WELL HAND PUMP

INSTALLATION INSTRUCTIONS

(Model # BPH-125SW-1)

WARNING: All pumps are manufactured with a hose adapter fitting at the outlet of the spout. You may want to check local codes to see if a hose bibb backflow preventor should be used when connecting a hose to the hose adapter of the pump. **CHECK YOUR LOCAL PLUMBING CODE!!**

STEP #1 - Check the contents of the box to be sure everything you ordered has been received. Be sure to check the serial number on the well head assembly #BPH-125SW-1 to be sure it matches your invoiced/packing list number. **READ ALL INSTRUCTIONS COMPLETELY BEFORE BEGINNING THE ACTUAL PUMP INSTALLATION.**

STEP #2 - Begin the installation of your **Bison Shallow Well Pump BPH-125SW-1**. If you are installing the pump on a counter top, refer to Detail "A".

Note: Before you drill any holes in the counter top, be sure to carefully inspect the underside of your counter to be sure there are no obstructions with the installation of the (4) anchor bolts.

STEP #3 - Once the location of the pump on your counter has been determined, use a hole saw to drill the center hole the size of the suction pipe that you are connecting to the pump.

Note: The **Bison BPH-125SW-1 Shallow Well Pump** has (4) stainless steel screws in the top of the pump head. These screws can be removed to allow you to rotate the top plate and handle assembly so that you end up with either a left hand pump, a right hand pump, or a straight in-line pump. These screws are also used to remove the entire pump mechanism from the pump body.

STEP #4 - Once you have determined the location of your hand pump, line the flat edge of the pump base with the edge of the sink. With a pencil, mark the (4) holes in the base of the hand pump on the counter top. Set the pump aside and drill (4) 3/8" holes in the counter top to allow installation of the hand pump.

Note: Bolts are not provided. Go to a local hardware store and purchase (4) 3/8" stainless steel bolts the proper length that you need along with (8) 3/8" stainless steel flat washers and (4) 3/8" stainless steel nylock nuts. BE SURE TO PURCHASE STAINLESS STEEL HARDWARE.

STEP #5 - Place the hand pump in position lining up the (4) holes in the counter top with the (4) holes in the pump base flange. Install the stainless steel nuts and bolts and tighten securely.

STEP #6 - Connect the water suction line to the base of the hand pump under the kitchen counter. The 2" female pipe thread at the base of the pump can be reduced to fit any size pipe 2" and smaller.

Note: Do not install a check valve under the hand pump and do not install a foot valve at the end of the suction line. You should, however, install some sort of a screen on the end of the suction pipe that is in the water. One suggestion would be to purchase a typical brass foot valve and remove the internal check valve of the foot valve and use this as the screen. If pulling water from a lake or stream, it is also a good idea to wrap the foot valve (less check) with a fine mesh nylon screen.

STEP #7 - The installation is now complete. Pump your **Bison Shallow Well Hand Pump** until you get water. No priming of the pump is necessary.

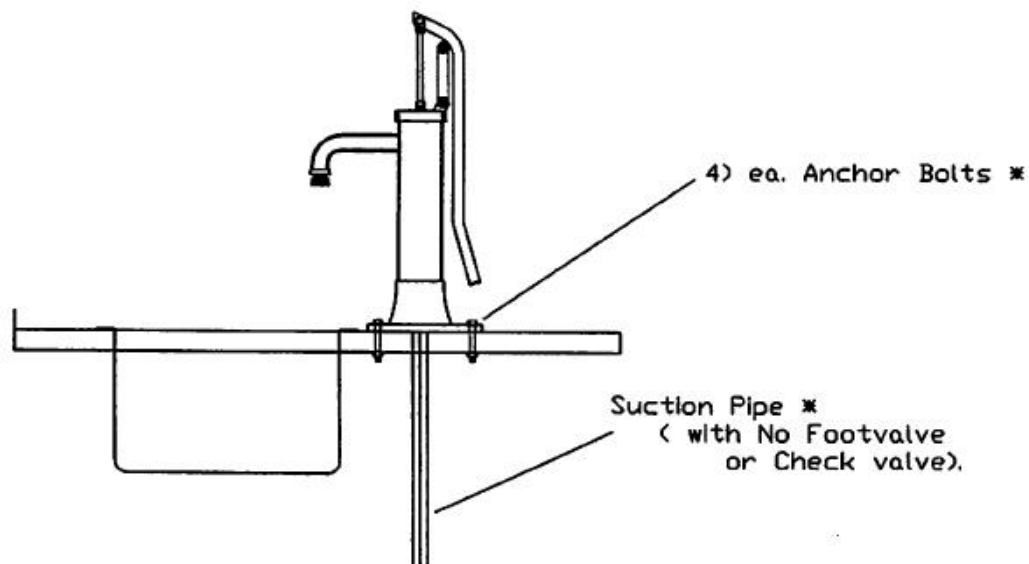
Note: 1) To drain the hand pump and suction piping to eliminate freezing, simply raise the handle all the way up. Hand tighten the 1/2" brass compression nut to hold the handle in the up position, see Detail "B". This

will allow the hand pump and piping to drain back to the water source.

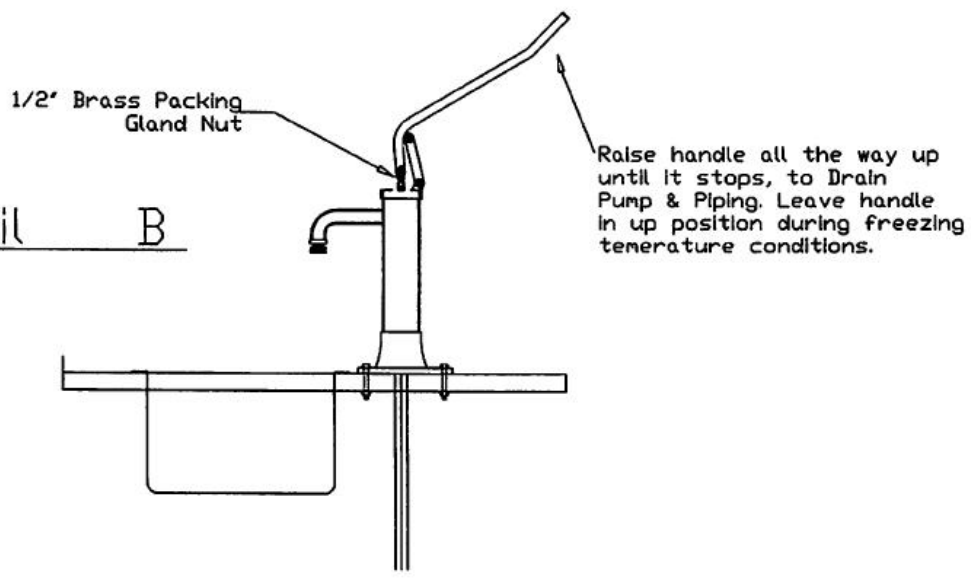
2) Bison Pumps will not be held responsible for defects or damage to this product due to inexperienced or negligent workmanship during installation of the pump and associated parts.

The installation is now complete. Enjoy your **Bison Shallow Well Hand Pump!!**

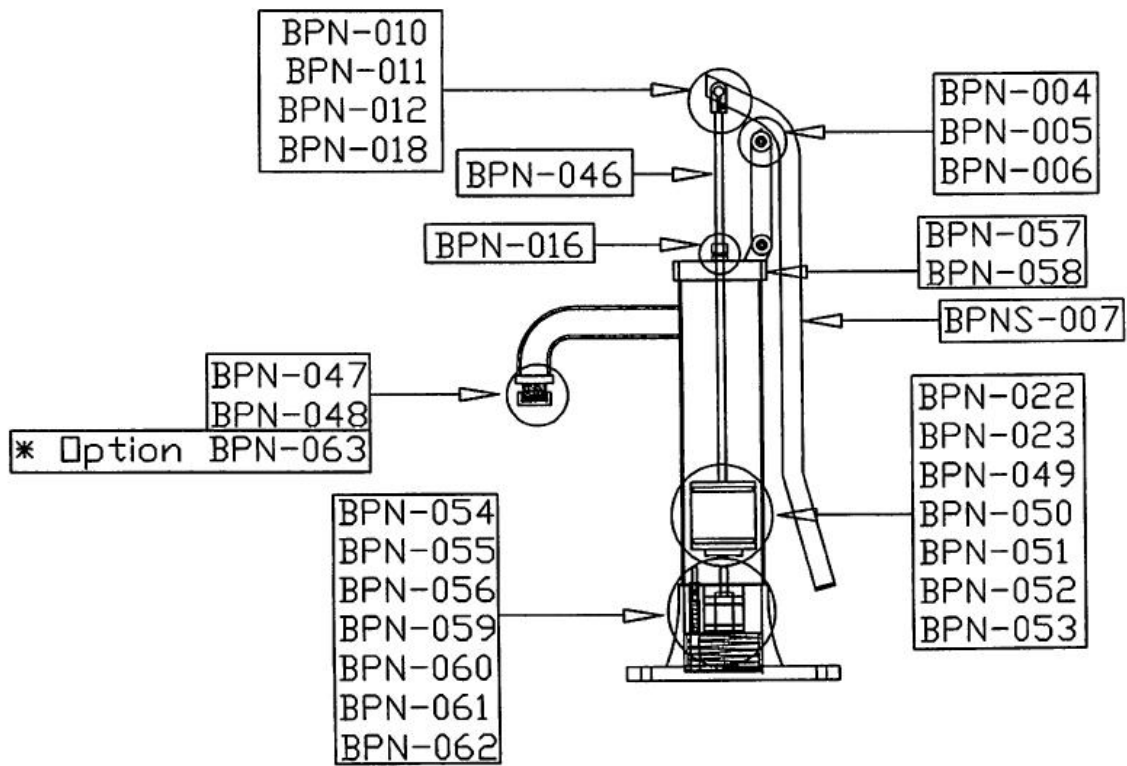
Detail A



Detail B



Bison Pumps Shallow Well Pump Parts Breakdown



BISON PUMPS PARTS LIST

SHALLOW WELL PUMP BPH-125SW-1 HEAD PARTS

BPN-004	<u>1/4" x 6" Stainless Steel Handle Link Bar (3 required)</u>
BPN-005	<u>2" x 3/8"- 16 Stainless Steel Handle Bolt & Nut (2 required)</u>
BPN-006	<u>3/8" Nylon Spacers (8 required)</u>
BPN-010	<u>3/8" Handle/Lift Rod Eyelet Adapter</u>
BPN-011	<u>3/8" Handle Shoulder Bolt, Nut & Washers</u>
BPN-012	<u>3/8" Bronze Bushing</u>
BPN-016	<u>Teflon Pitch Pocket Packing</u>
BPN-018	<u>1/4" 20 x 1/4" Set Screw</u>
BPNS-007	<u>1" x 24" Stainless Steel Shallow Well Pump Handle</u>
BPN-022	<u>1 1/4" PVC Piston Check Valve</u>
BPN-023	<u>3/8" Stainless Steel Helicoil Spring</u>
BPN-046	<u>Lift Rod</u>
BPN-047	<u>Washer Screen</u>
BPN-048	<u>Hose Bibb Cap With Hole</u>
BPN-049	<u>3/8" Stainless Steel Flat Washers (2 required)</u>
BPN-050	<u>3/8" Nylock Jam Nut</u>
BPN-051	<u>Piston</u>
BPN-052	<u>Top Cup Seal (Wiper)</u>
BPN-053	<u>Bottom Cup Seal</u>
BPN-054	<u>Check Valve</u>
BPN-055	<u>O-Rings (2 required)</u>
BPN-056	<u>Snap Ring</u>
BPN-057	<u>Top Cap Assembly</u>
BPN-058	<u>Top Cap Screws (4 required)</u>
BPN-059	<u>Drain Pin</u>
BPN-060	<u>Retainer</u>
BPN-061	<u>O-Ring</u>
BPN-062	<u>Spring</u>
BPN-063	<u>Screw-In Hose Bibb Fitting (Factory Installed on Some Models) *Option</u>